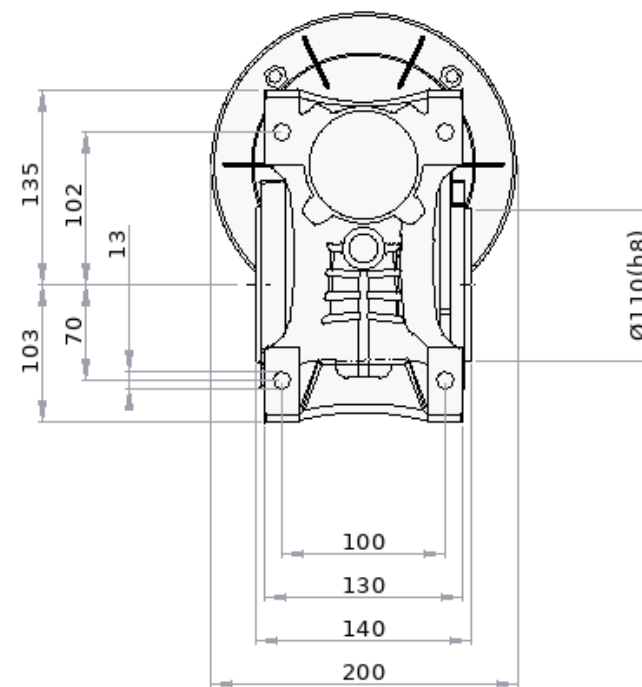
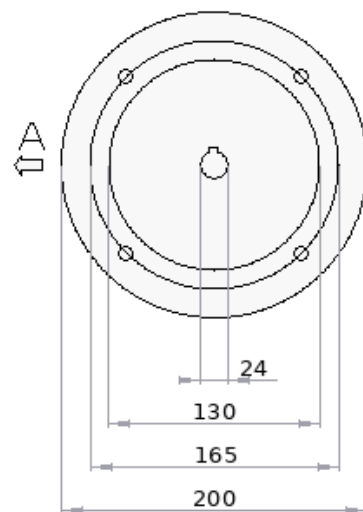



Input flange, view from A



BOX090		
Date: 19/05/2026 11:09		
www.motive.it/configuratore.php		
Scale: Out		Motive s.r.l. Via Le Ghiselle, 20 25014 Castenedolo(BS) Italy Tel. +39 030 2677087 Web: www.motive.it
This drawing is property of MOTIVE s.r.l.		



Motive s.r.l.
Via Le Ghiselle, 20
25014 Castenedolo (BS), Italy
Tel: +39 030 2677087
Fax: +39 030 2677125
motive@motive.it
www.motive.it

DATA-SHEET

PRODUCT DESCRIPTION



Gearbox

Gearbox type	BOX090
Reduct. Ratio (i)	1:60
Input flange	B5
Values calculated for motor at Hz	50
Output speed rpm	23.3
Output torque Nm	427.3
Service factor at Nm 427.3	0.8
Mounting position:	B3
Gearbox code	B9060352490B5

Motor features (motor not supplied)

Motor type	DELPHI 90L
Poles	4
Power kW	1.5
Frequency Hz	50
Voltage	230/400V

Total weight Kg 15

