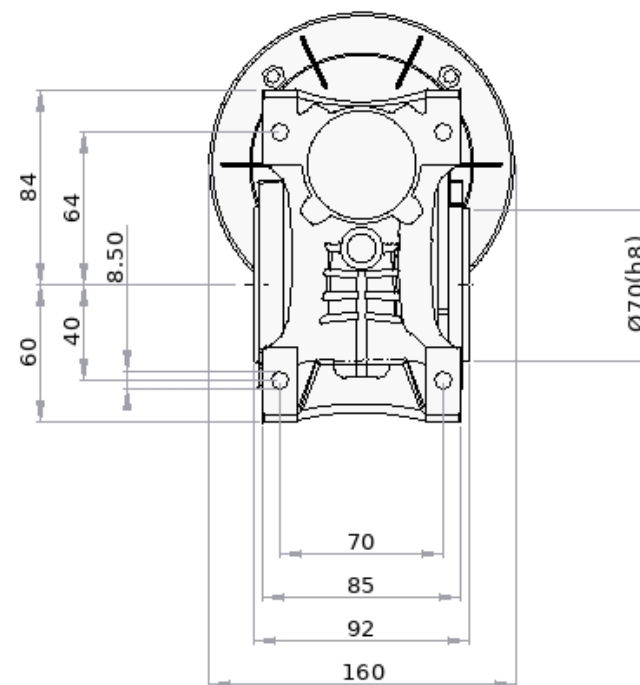
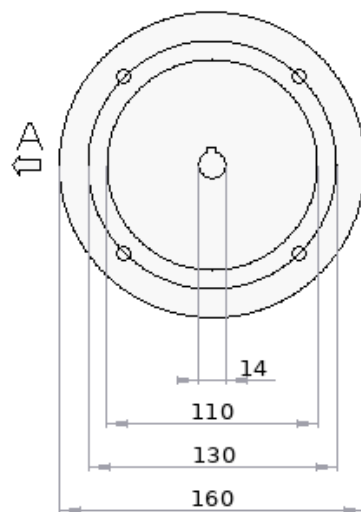



Input flange, view from A



BOX050		
Date: 19/05/2026 12:30		
www.motive.it/configuratore.php		
Scale: Out		Motive s.r.l. Via Le Ghiselle, 20 25014 Castenedolo(BS) Italy Tel. +39 030 2677087 Web: www.motive.it
This drawing is property of MOTIVE s.r.l.		



Motive s.r.l.
Via Le Ghiselle, 20
25014 Castenedolo (BS), Italy
Tel: +39 030 2677087
Fax: +39 030 2677125
motive@motive.it
www.motive.it

DATA-SHEET

PRODUCT DESCRIPTION



Gearbox

Gearbox type	BOX050
Reduct. Ratio (i)	1:50
Input flange	B5
Values calculated for motor at Hz	50
Output speed rpm	28
Output torque Nm	77.4
Service factor at Nm 77.4	0.9
Gearbox code	B5050251471B5

Motor features (motor not supplied)

Motor type	DELPHI 71B
Poles	4
Power kW	0.37
Frequency Hz	50
Voltage	230/400V

Total weight Kg 4.2

