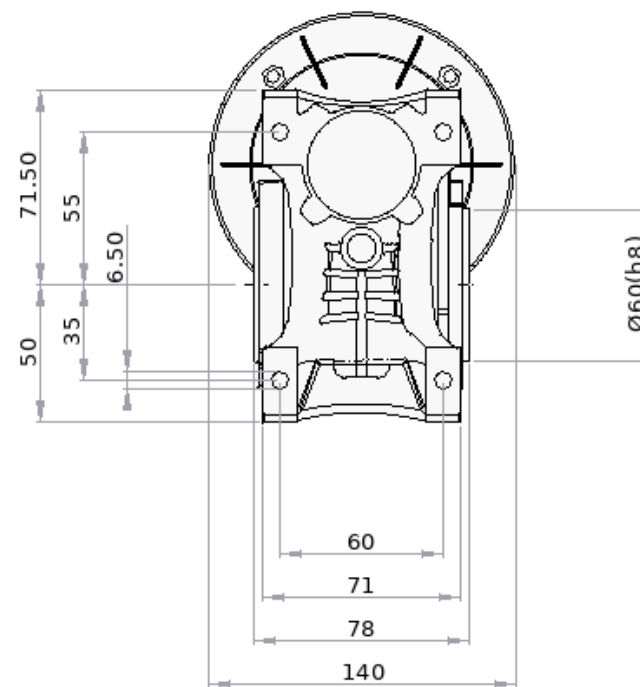
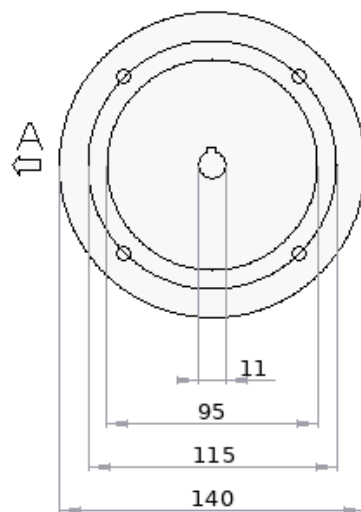



Input flange, view from A



Warning: out of scale drawing - It may not exactly represent the product. The exact dimensions can be drawn from the 2D drawing or the 3D model to download.

BOX040		 Motive s.r.l. Via Le Ghiselle, 20 25014 Castenedolo(BS) Italy Tel. +39 030 2677087 Web: www.motive.it
Date: 19/05/2026 12:26		
www.motive.it/configuratore.php		
Scale: Out		
This drawing is property of MOTIVE s.r.l.		



Motive s.r.l.
Via Le Ghiselle, 20
25014 Castenedolo (BS), Italy
Tel: +39 030 2677087
Fax: +39 030 2677125
motive@motive.it
www.motive.it

DATA-SHEET

PRODUCT DESCRIPTION



Gearbox

Gearbox type	BOX040
Reduct. Ratio (i)	1:60
Input flange	B5
Values calculated for motor at Hz	50
Output speed rpm	23.3
Output torque Nm	43
Service factor at Nm 43	0.8
Gearbox code	B4060181163B5

Motor features (motor not supplied)

Motor type	DELPHI 63B
Poles	4
Power kW	0.18
Frequency Hz	50
Voltage	230/400V

Total weight Kg 2.9

