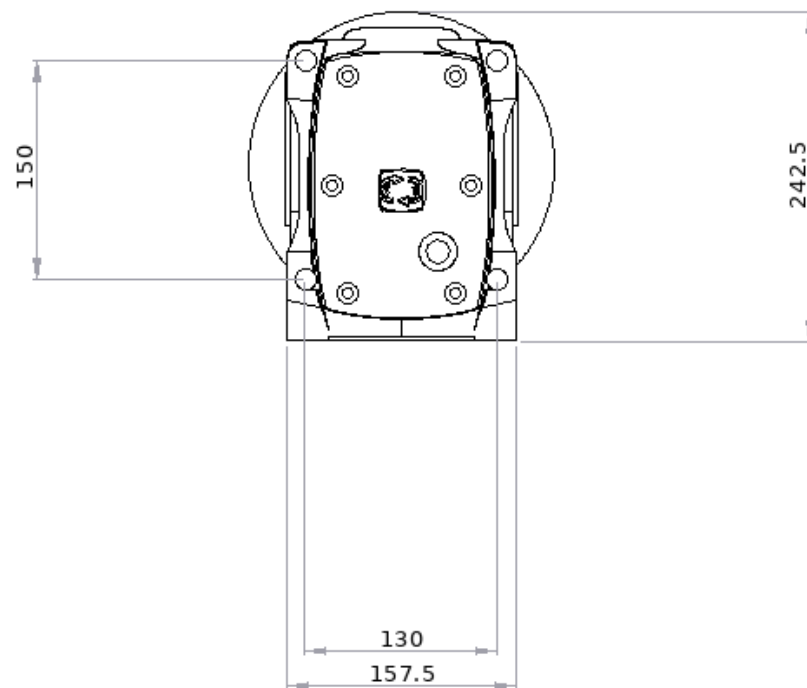
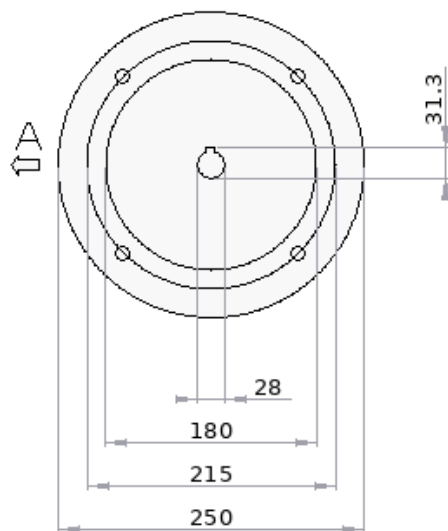



Base  
(front view)

Input flange, view from A



ENDURO 5   DELPHI 112M-4		 Motive s.r.l. Via Le Ghiselle, 20 25014 Castenedolo(BS) Italy Tel. +39 030 2677087 Web: www.motive.it
Date: 06/04/2026 12:16		
www.motive.it/configuratore.php		
Scale: Out		
This drawing is property of MOTIVE s.r.l.		



Motive s.r.l.  
Via Le Ghiselle, 20  
25014 Castenedolo (BS), Italy  
Tel: +39 030 2677087  
Fax: +39 030 2677125  
motive@motive.it  
www.motive.it

# DATA-SHEET

## PRODUCT DESCRIPTION



### Gearbox

Gearbox type	ENDURO 5
Gearbox code	-
Rated Red. Ratio	16
Real Red. Ratio	16.50
Values calculated for motor at Hz	50
Output speed rpm	86
Output torque Nm	418.00
Rated service factor at Nm 418.00	1.2
Mounting position: B3	
Moment of inertia kgm <sup>2</sup> ↓	0.000597
Backlash ↓	1.3°
Max axial/radial load on output shaft kg ↓	678(Fr=0) / 329(Fa=0)

### Motor features (motor not supplied)

Motor type	DELPHI 112M
Poles	4
Power kW	4
Frequency Hz	50
Voltage	230/400V

Total weight kg 30.8

