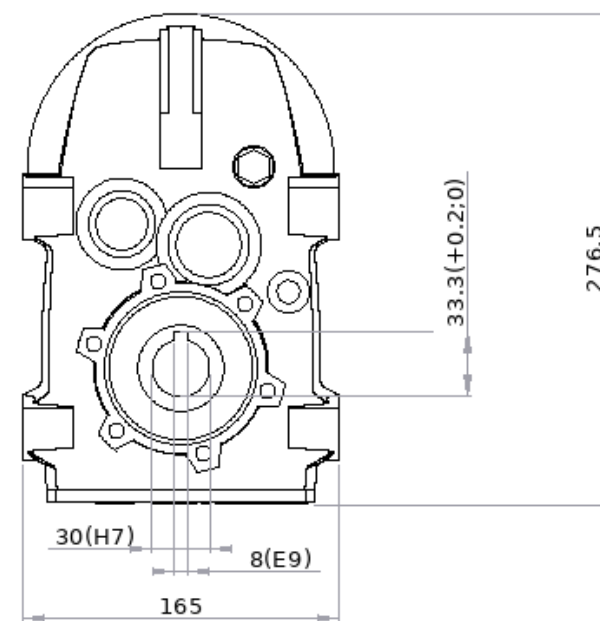
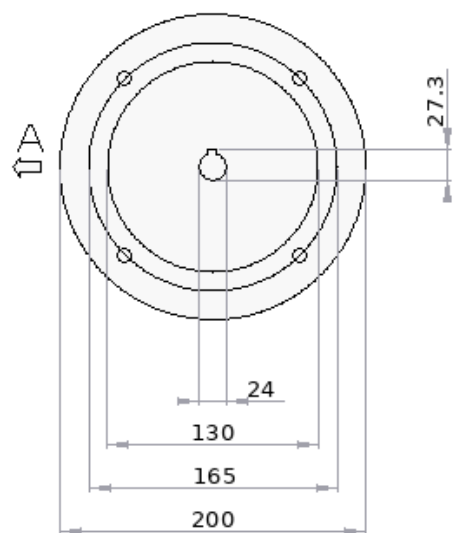



Input flange, view from A



Warning: out of scale drawing - It may not exactly represent the product. The exact dimensions can be drawn from the 2D drawing or the 3D model to download.

STON 3 DELPHI 90S-4		 Motive s.r.l. Via Le Ghiselle, 20 25014 Castenedolo(BS) Italy Tel. +39 030 2677087 Web: www.motive.it
Date: 14/01/2026 13:26		
www.motive.it/configuratore.php		
Scale: Out		
This drawing is property of MOTIVE s.r.l.		



Motive s.r.l.
Via Le Ghiselle, 20
25014 Castenedolo (BS), Italy
Tel: +39 030 2677087
Fax: +39 030 2677125
motive@motive.it
www.motive.it

DATA-SHEET

PRODUCT DESCRIPTION



Gearbox

Gearbox type	STON 3
Gearbox code	ST33038905
Rated Red. Ratio	38
Real Red. Ratio	37.69
Stages #	3
Values calculated for motor at Hz	50
Output speed rpm	37
Output torque Nm	266.00
Rated service factor at Nm 266.00	1.45
Mounting position: B3	
Moment of inertia kgm ²	0.000658
Backlash	0.39°
Max axial/radial load on output shaft kg	517(Fr=0) / 262(Fa=0)

Motor features (motor not supplied)

Motor type	DELPHI 90S
Poles	4
Power kW	1.1
Frequency Hz	50
Voltage	230/400V

Total weight kg 13.9

