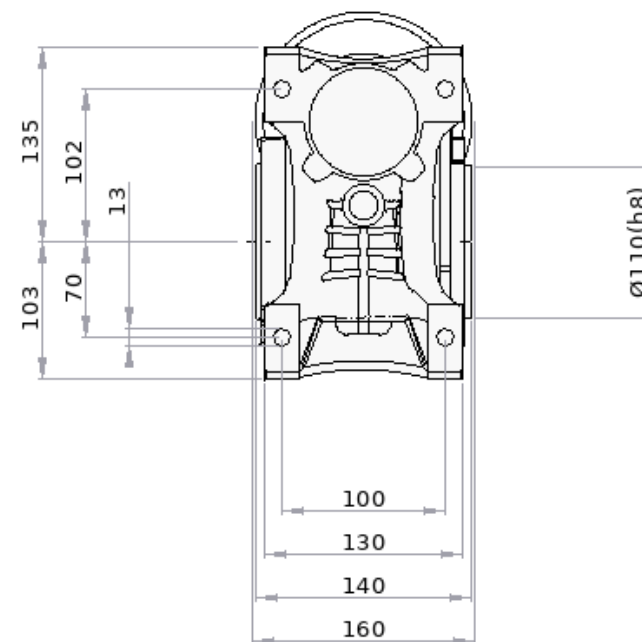
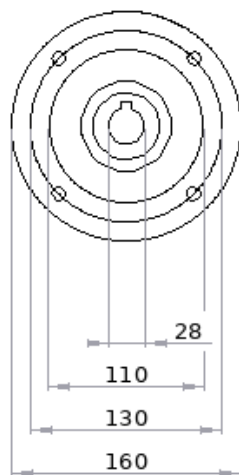
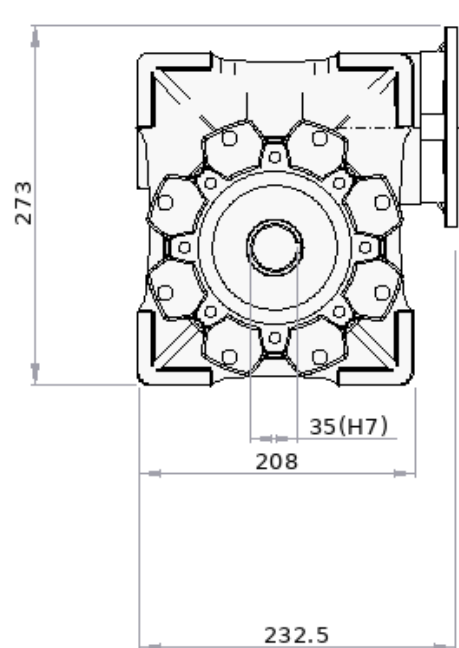



Input flange, view from A



Warning: out of scale drawing - It may not exactly represent the product. The exact dimensions can be drawn from the 2D drawing or the 3D model to download.

BOX090		
Date: 14/01/2026 10:14		
<a href="http://www.motive.it/configuratore.php">www.motive.it/configuratore.php</a>		
Scale: Out		Motive s.r.l. Via Le Ghiselle, 20 25014 Castenedolo(BS) Italy Tel. +39 030 2677087 Web: www.motive.it
This drawing is property of MOTIVE s.r.l.		



Motive s.r.l.  
Via Le Ghiselle, 20  
25014 Castenedolo (BS), Italy  
Tel: +39 030 2677087  
Fax: +39 030 2677125  
motive@motive.it  
www.motive.it

# DATA-SHEET

## PRODUCT DESCRIPTION



### Gearbox

Gearbox type	BOX090
Reduct. Ratio (i)	1:15
Input flange	B14
Values calculated for motor at Hz	50
Output speed rpm	93.3
Output torque Nm	361
Service factor at Nm 361	1
Mounting position:	B3
Gearbox code	<a href="#">B90153528100B4</a>

### Motor features (motor not supplied)

Motor type	DELPHI 112M
Poles	4
Power kW	4
Frequency Hz	50
Voltage	230/400V

Total weight Kg 15

