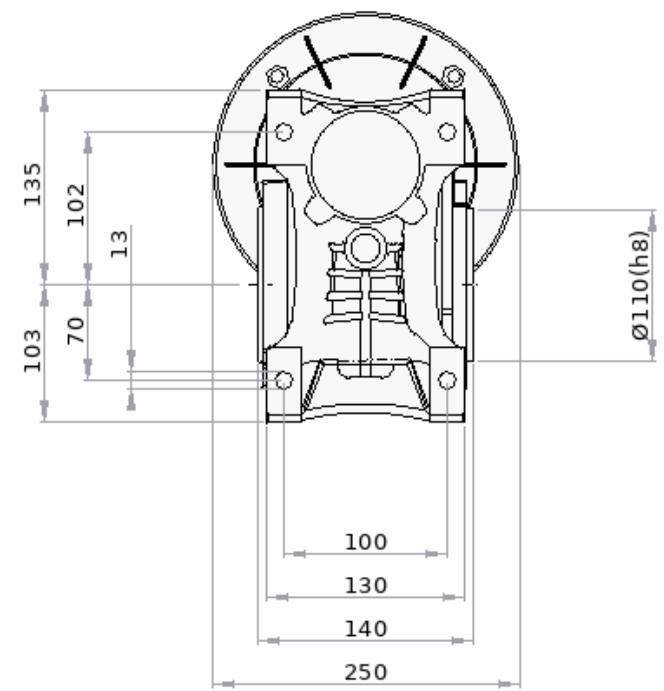
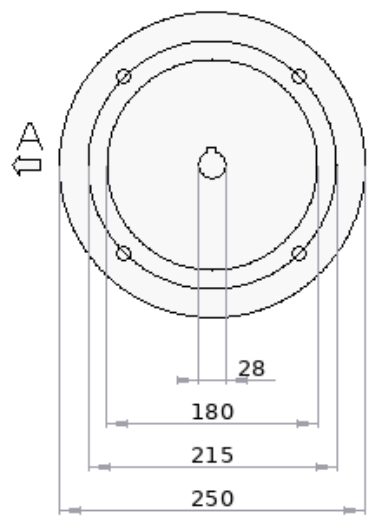



Input flange, view from A



Warning: out of scale drawing - It may not exactly represent the product. The exact dimensions can be drawn from the 2D drawing or the 3D model to download.

BOX090		
Date: 04/12/2025 12:27		
<a href="http://www.motive.it/configuratore.php">www.motive.it/configuratore.php</a>		
Scale: Out		Motive s.r.l. Via Le Ghiselle, 20 25014 Castenedolo(BS) Italy Tel. +39 030 2677087 Web: www.motive.it
This drawing is property of MOTIVE s.r.l.		



Motive s.r.l.  
Via Le Ghiselle, 20  
25014 Castenedolo (BS), Italy  
Tel: +39 030 2677087  
Fax: +39 030 2677125  
motive@motive.it  
www.motive.it

# DATA-SHEET

## PRODUCT DESCRIPTION



### Gearbox

Gearbox type	BOX090
Reduct. Ratio (i)	1:25
Input flange	B5
Values calculated for motor at Hz	50
Output speed rpm	56
Output torque Nm	313.3
Service factor at Nm 313.3	1.2
Mounting position:	B3
Gearbox code	<a href="#">B90253528100B5</a>

### Motor features (motor not supplied)

Motor type	DELPHI 100LA
Poles	4
Power kW	2.2
Frequency Hz	50
Voltage	230/400V

Total weight Kg 15

