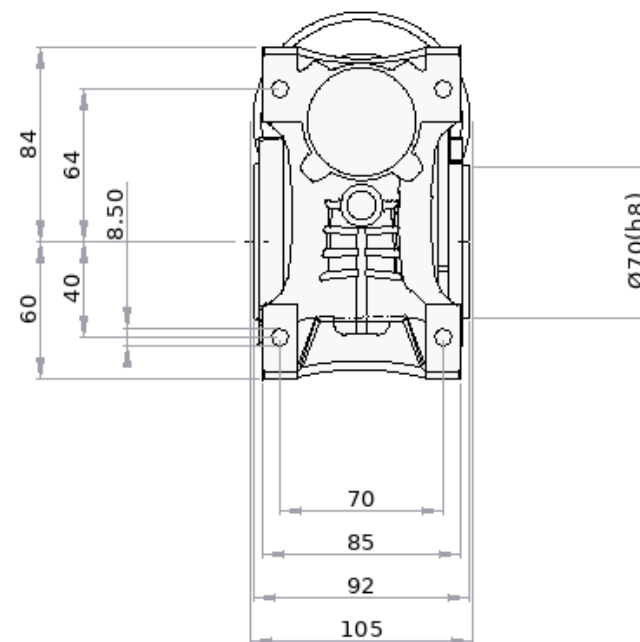
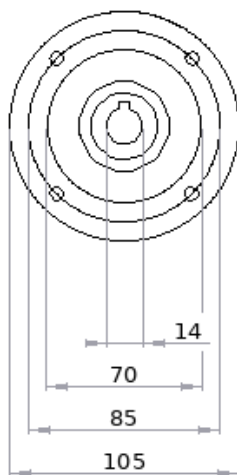
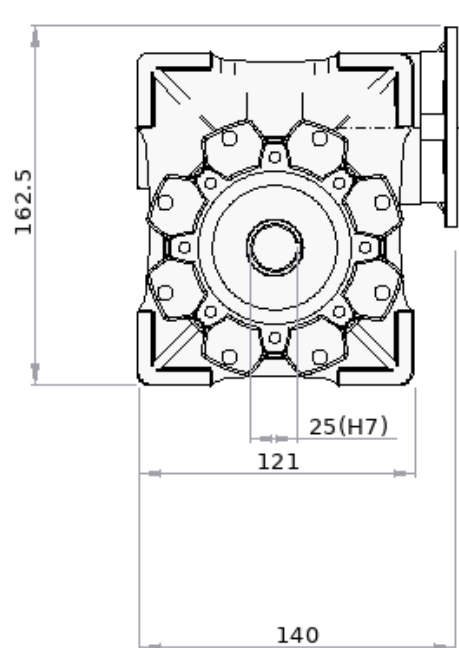



Input flange, view from A



Warning: out of scale drawing - It may not exactly represent the product. The exact dimensions can be drawn from the 2D drawing or the 3D model to download.

BOX050		 Motive s.r.l. Via Le Ghiselle, 20 25014 Castenedolo(BS) Italy Tel. +39 030 2677087 Web: www.motive.it
Date: 03/12/2025 15:16		
www.motive.it/configuratore.php		
Scale: Out		
This drawing is property of MOTIVE s.r.l.		



Motive s.r.l.  
Via Le Ghiselle, 20  
25014 Castenedolo (BS), Italy  
Tel: +39 030 2677087  
Fax: +39 030 2677125  
motive@motive.it  
www.motive.it

# DATA-SHEET

## PRODUCT DESCRIPTION



### Gearbox

Gearbox type	BOX050
Reduct. Ratio (i)	1:50
Input flange	B14
Values calculated for motor at Hz	50
Output speed rpm	28
Output torque Nm	77.4
Service factor at Nm 77.4	0.9
Gearbox code	<a href="#">B5050251471B4</a>

### Motor features (motor not supplied)

Motor type	DELPHI 71B
Poles	4
Power kW	0.37
Frequency Hz	50
Voltage	230/400V

Total weight Kg 4.2

