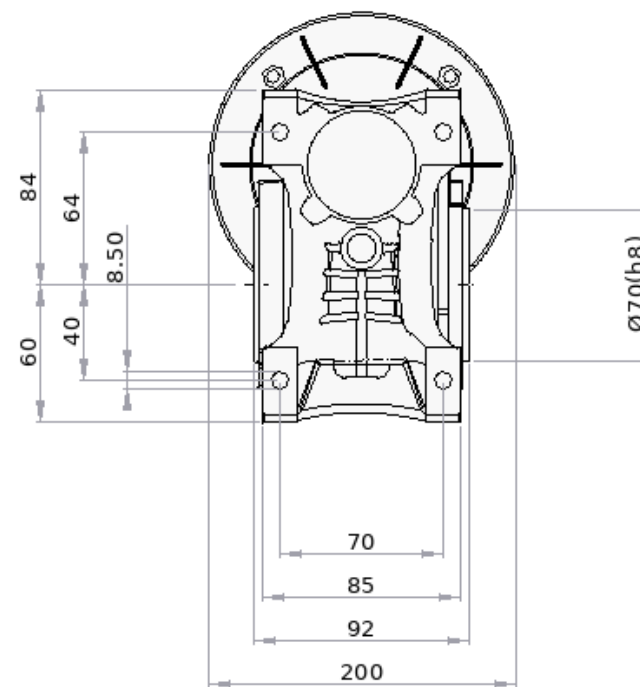
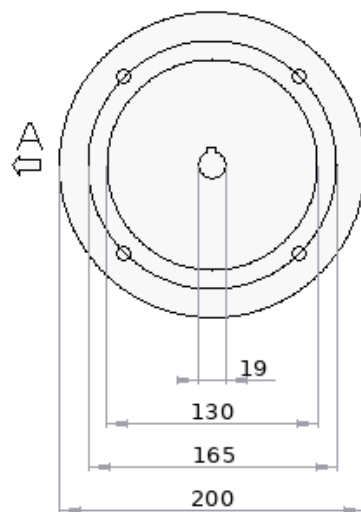



Input flange, view from A



BOX050		 Motive s.r.l. Via Le Ghiselle, 20 25014 Castenedolo(BS) Italy Tel. +39 030 2677087 Web: www.motive.it
Date: 03/12/2025 15:17		
www.motive.it/configuratore.php		
Scale: Out		
This drawing is property of MOTIVE s.r.l.		



Motive s.r.l.  
Via Le Ghiselle, 20  
25014 Castenedolo (BS), Italy  
Tel: +39 030 2677087  
Fax: +39 030 2677125  
motive@motive.it  
www.motive.it

# DATA-SHEET

## PRODUCT DESCRIPTION



### Gearbox

Gearbox type	BOX050
Reduct. Ratio (i)	1:25
Input flange	B5
Values calculated for motor at Hz	50
Output speed rpm	56
Output torque Nm	70.5
Service factor at Nm 70.5	1
Gearbox code	<b>B5025251980B5</b>

### Motor features (motor not supplied)

Motor type	DELPHI 80A
Poles	4
Power kW	0.55
Frequency Hz	50
Voltage	230/400V

Total weight Kg 4.2

