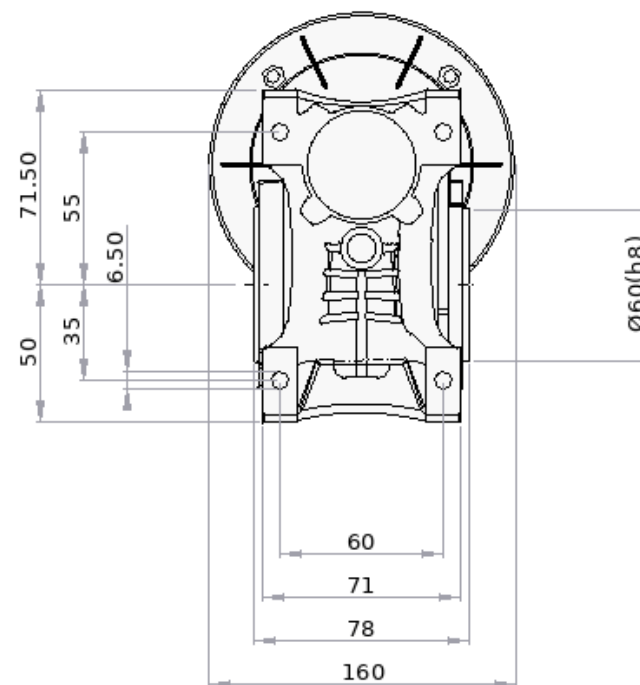
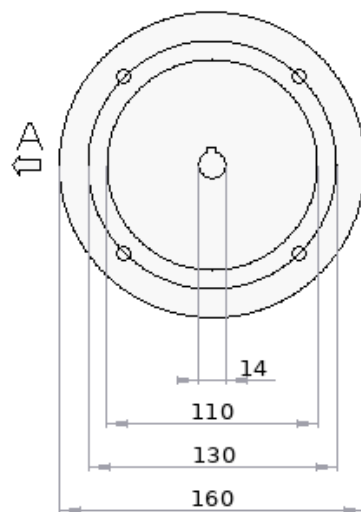



Input flange, view from A



BOX040		 <p>Motive s.r.l. Via Le Ghiselle, 20 25014 Castenedolo(BS) Italy Tel. +39 030 2677087 Web: www.motive.it</p>
Date: 03/12/2025 14:20		
www.motive.it/configuratore.php		
Scale: Out		
This drawing is property of MOTIVE s.r.l.		



Motive s.r.l.  
Via Le Ghiselle, 20  
25014 Castenedolo (BS), Italy  
Tel: +39 030 2677087  
Fax: +39 030 2677125  
motive@motive.it  
www.motive.it

# DATA-SHEET

## PRODUCT DESCRIPTION



### Gearbox

Gearbox type	BOX040
Reduct. Ratio (i)	1:30
Input flange	B5
Values calculated for motor at Hz	50
Output speed rpm	46.7
Output torque Nm	35.7
Service factor at Nm 35.7	1.3
Gearbox code	<b>B4030181471B5</b>

### Motor features (motor not supplied)

Motor type	DELPHI 71A
Poles	4
Power kW	0.25
Frequency Hz	50
Voltage	230/400V

Total weight Kg 2.9

