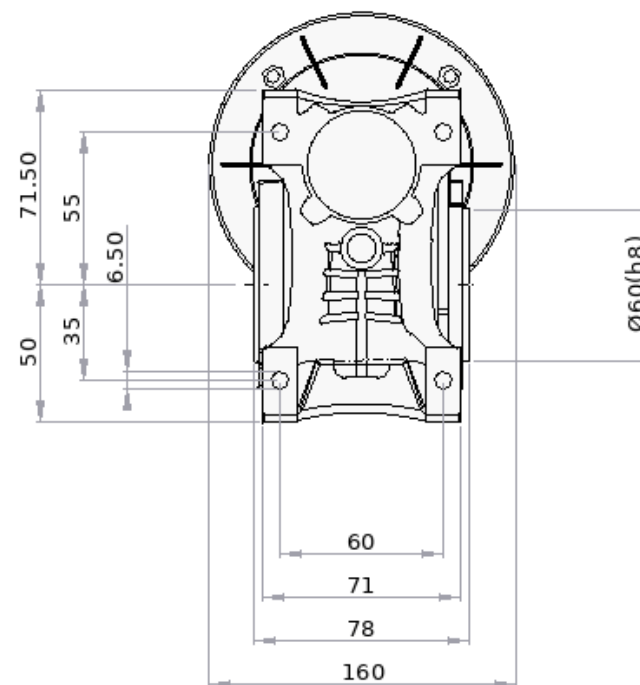
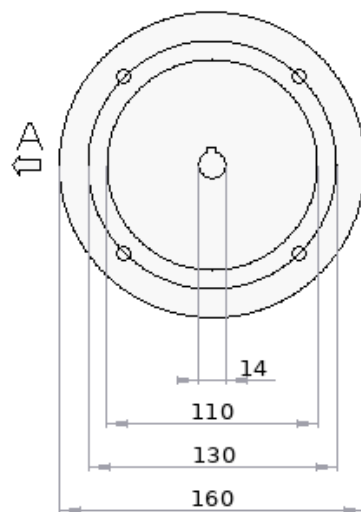



Input flange, view from A



Warning: out of scale drawing - It may not exactly represent the product. The exact dimensions can be drawn from the 2D drawing or the 3D model to download.

BOX040		 <p>Motive s.r.l. Via Le Ghiselle, 20 25014 Castenedolo(BS) Italy Tel. +39 030 2677087 Web: www.motive.it</p>
Date: 03/12/2025 14:22		
www.motive.it/configuratore.php		
Scale: Out		
This drawing is property of MOTIVE s.r.l.		



Motive s.r.l.
Via Le Ghiselle, 20
25014 Castenedolo (BS), Italy
Tel: +39 030 2677087
Fax: +39 030 2677125
motive@motive.it
www.motive.it

DATA-SHEET

PRODUCT DESCRIPTION



Gearbox

Gearbox type	BOX040
Reduct. Ratio (i)	1:20
Input flange	B5
Values calculated for motor at Hz	50
Output speed rpm	70
Output torque Nm	26.1
Service factor at Nm 26.1	1.5
Gearbox code	B4020181471B5

Motor features (motor not supplied)

Motor type	DELPHI 71A
Poles	4
Power kW	0.25
Frequency Hz	50
Voltage	230/400V

Total weight Kg 2.9

