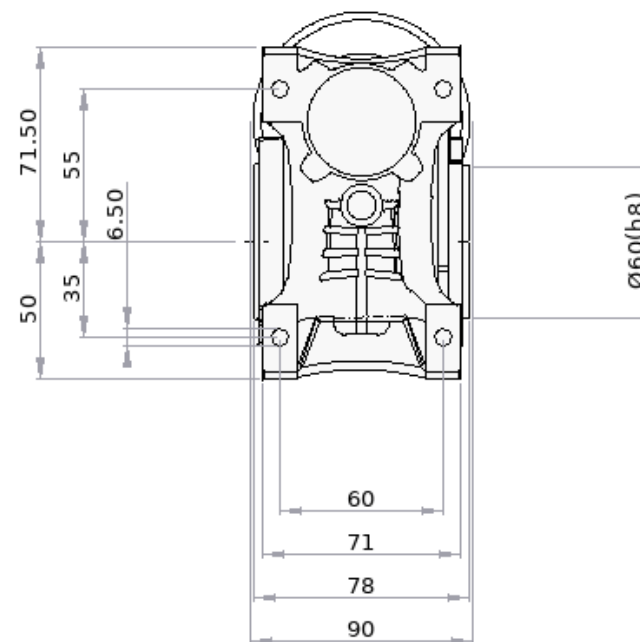
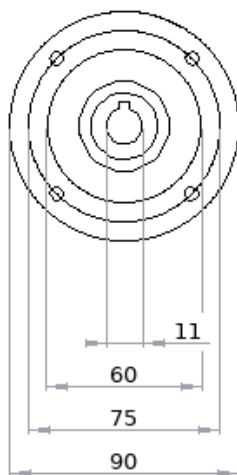
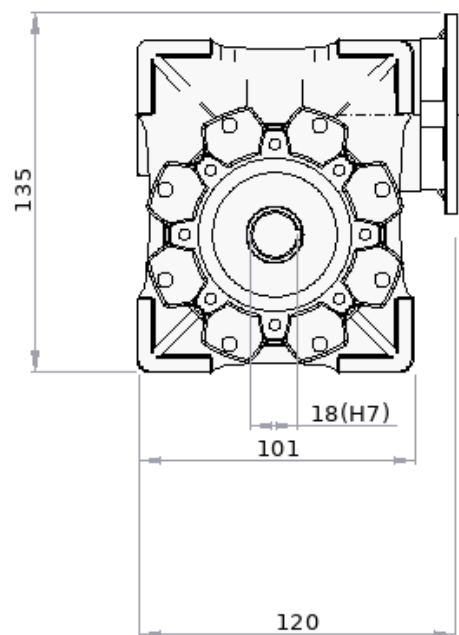



Input flange, view from A



Warning: out of scale drawing - It may not exactly represent the product. The exact dimensions can be drawn from the 2D drawing or the 3D model to download.

BOX040		
Date: 03/12/2025 14:26		
<a href="http://www.motive.it/configuratore.php">www.motive.it/configuratore.php</a>		
Scale: Out		Motive s.r.l. Via Le Ghiselle, 20 25014 Castenedolo(BS) Italy Tel. +39 030 2677087 Web: www.motive.it
This drawing is property of MOTIVE s.r.l.		



Motive s.r.l.  
Via Le Ghiselle, 20  
25014 Castenedolo (BS), Italy  
Tel: +39 030 2677087  
Fax: +39 030 2677125  
motive@motive.it  
www.motive.it

# DATA-SHEET

## PRODUCT DESCRIPTION



### Gearbox

Gearbox type	BOX040
Reduct. Ratio (i)	1:80
Input flange	B14
Values calculated for motor at Hz	50
Output speed rpm	17.5
Output torque Nm	34
Service factor at Nm 34	1
Gearbox code	<a href="#">B4080181163B4</a>

### Motor features (motor not supplied)

Motor type	DELPHI 63A
Poles	4
Power kW	0.13
Frequency Hz	50
Voltage	230/400V

Total weight Kg 2.9

