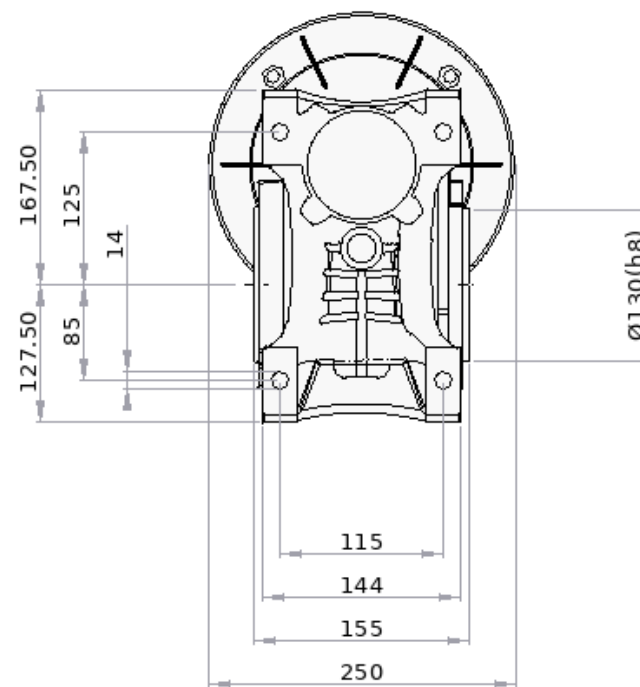
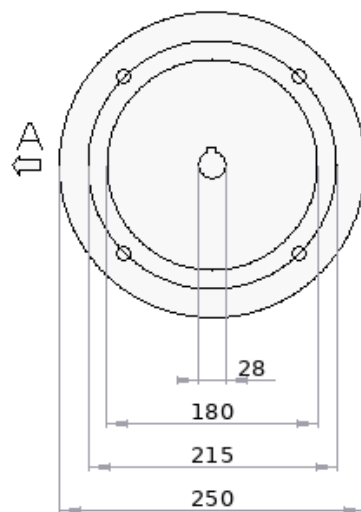



Input flange, view from A



Warning: out of scale drawing - It may not exactly represent the product. The exact dimensions can be drawn from the 2D drawing or the 3D model to download.

BOX110		
Date: 04/12/2025 13:39		
www.motive.it/configuratore.php		
Scale: Out		Motive s.r.l. Via Le Ghiselle, 20 25014 Castenedolo(BS) Italy Tel. +39 030 2677087 Web: www.motive.it
This drawing is property of MOTIVE s.r.l.		



Motive s.r.l.
Via Le Ghiselle, 20
25014 Castenedolo (BS), Italy
Tel: +39 030 2677087
Fax: +39 030 2677125
motive@motive.it
www.motive.it

DATA-SHEET

PRODUCT DESCRIPTION



Gearbox

Gearbox type	BOX110
Reduct. Ratio (i)	1:40
Input flange	B5
Values calculated for motor at Hz	50
Output speed rpm	35
Output torque Nm	463.4
Service factor at Nm 463.4	1.5
Mounting position:	B3
Gearbox code	B110404228112B5

Motor features (motor not supplied)

Motor type	DELPHI 100LA
Poles	4
Power kW	2.2
Frequency Hz	50
Voltage	230/400V

Total weight Kg 42.5

