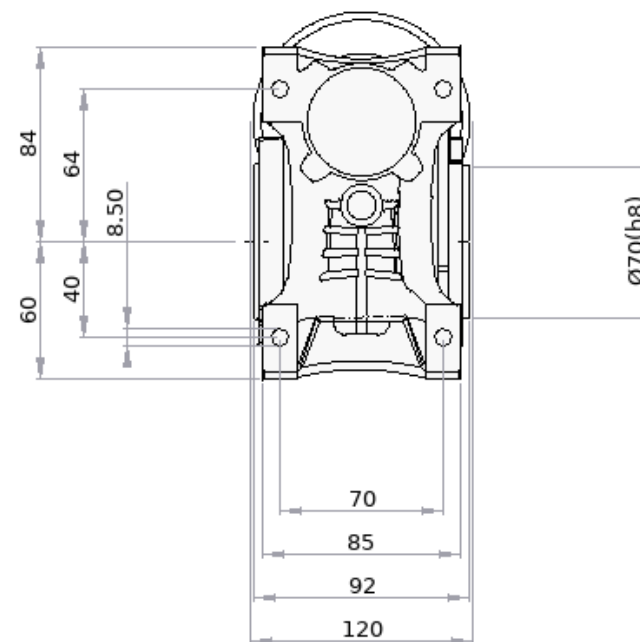
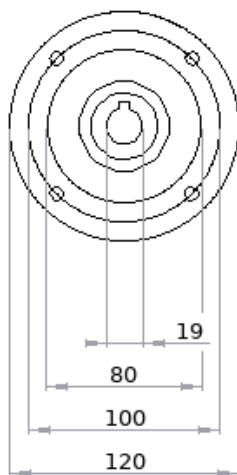
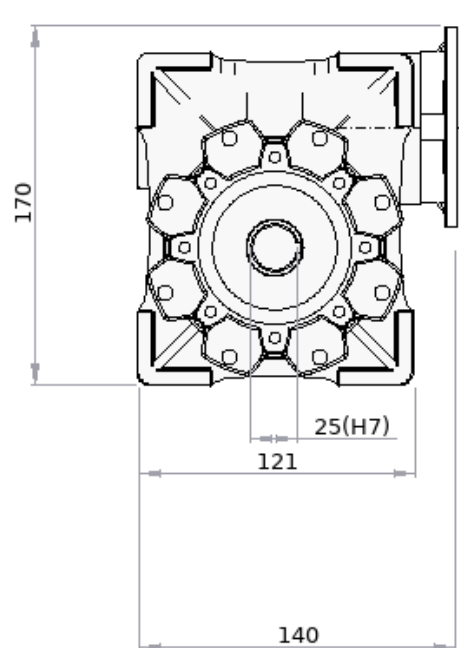



Input flange, view from A



Warning: out of scale drawing - It may not exactly represent the product. The exact dimensions can be drawn from the 2D drawing or the 3D model to download.

BOX050		
Date: 05/05/2025 11:20		
www.motive.it/configuratore.php		
Scale: Out		Motive s.r.l. Via Le Ghiselle, 20 25014 Castenedolo(BS) Italy Tel. +39 030 2677087 Web: www.motive.it
This drawing is property of MOTIVE s.r.l.		



Motive s.r.l.
Via Le Ghiselle, 20
25014 Castenedolo (BS), Italy
Tel: +39 030 2677087
Fax: +39 030 2677125
motive@motive.it
www.motive.it

DATA-SHEET

PRODUCT DESCRIPTION



Gearbox

Gearbox type	BOX050
Reduct. Ratio (i)	1:15
Input flange	B14
Values calculated for motor at Hz	50
Output speed rpm	93.3
Output torque Nm	62.8
Service factor at Nm 62.8	1.2
Gearbox code	B5015251980B4

Motor features (motor not supplied)

Motor type	DELPHI 80B
Poles	4
Synchronous speed rpm	1500
Power kW	0.75
Frequency Hz	50
Voltage	230/400V

Total weight Kg 4.2

